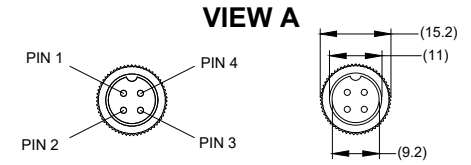
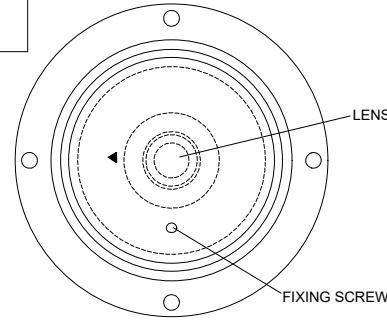


TABLE 1: MD-XX SERIES CAMERA ONLY OPTIONS

PART NO.	MODEL NO.	BRIEF DESCRIPTION
5739	MD-50-C	SELECT CAMERA, MINI DOME CAMERA (PAL) - CAMERA ONLY
5740	MD-51-C	SELECT CAMERA, MINI DOME CAMERA (NTSC) - CAMERA ONLY
5741	MD-60-C	SELECT CAMERA, MINI DOME CAMERA - 720P / 25FPS (AHD) - CAMERA ONLY
5742	MD-61-C	SELECT CAMERA, MINI DOME CAMERA - 720P / 30FPS (AHD) - CAMERA ONLY

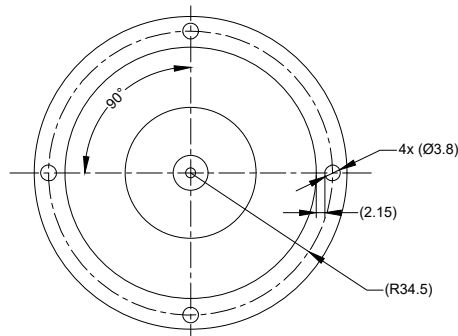
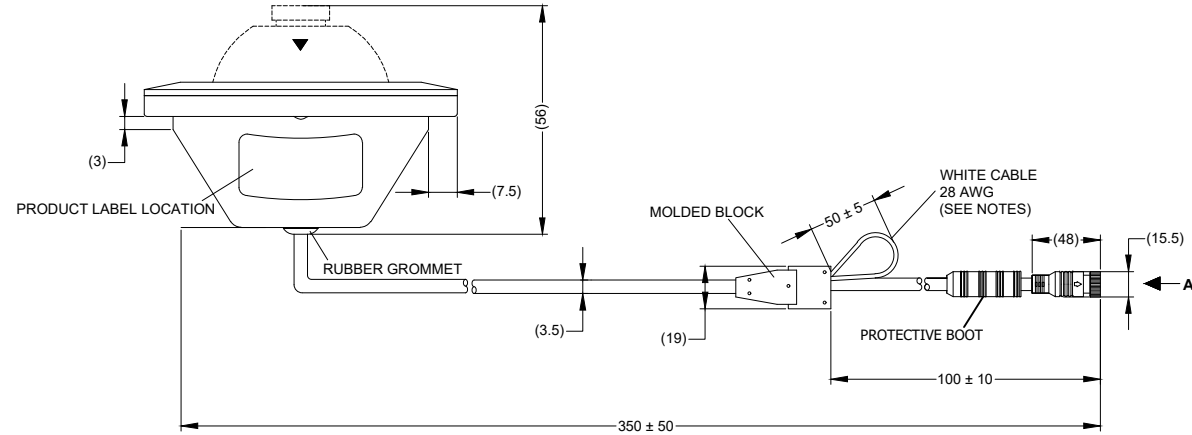
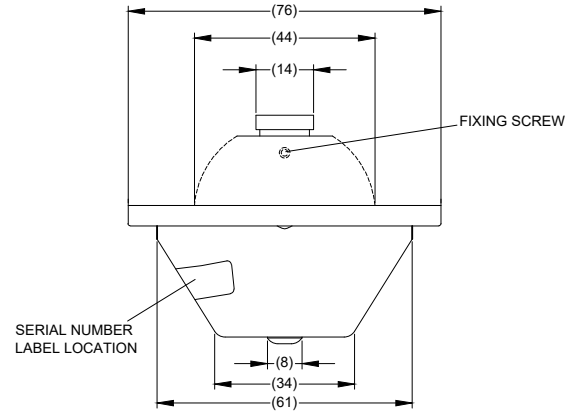
Revision Notes.

APA: - Drawn: Checked:- Approved:- Date: -



4 PIN FEMALE MATING FACE

PIN #	WIRE COLOUR	DESCRIPTION
1	RED	+12V
2	BLACK/SHIELD	GND
3	WHITE	AUDIO
4	YELLOW	VIDEO



- NOTES:
- CUT WHITE CABLE FOR MIRROR IMAGE AND INSULATE EXPOSED WIRES.
  - REFER TO PRODUCT SPECIFICATIONS FOR TECHNICAL DETAILS.
  - FOR PACKAGING AND LABELING DETAIL REFER TO LATEST REVISION OF THE MASTER BOM.
  - PROTECTIVE BOOT TO MAINTAIN IP RATING. SPECIFICATION CONTROLLED BY SUPPLIER.

PROPRIETARY NOTICE

THIS DESIGN AND TECHNICAL INFORMATION APPEARING ON THIS DRAWING IS THE PROPERTY OF BRIGADE ELECTRONICS, AND IS DISCLOSED IN CONFIDENCE. IT IS NOT TO BE COPIED, REPRODUCED, REVEALED TO OR EXPROPRIATED BY OTHERS, EITHER IN WHOLE OR IN PART WITHOUT THE EXPRESS WRITTEN CONSENT OF BRIGADE ELECTRONICS.

**BRIGADE**<sup>®</sup>  
www.brigade-electronics.com

Assembly Pl Approval C. ZHANG	Approved by S. LAVER	Checked by R. BATES	Drawn by S.ROBERTSON
Angle of Projection 	Units mm	Scale N/A	Released 25/02/19
Status RELEASED	Assembly Ref MD-XX-C SERIES		
Part No SEE TABLE 1	BE-003978-00-19		